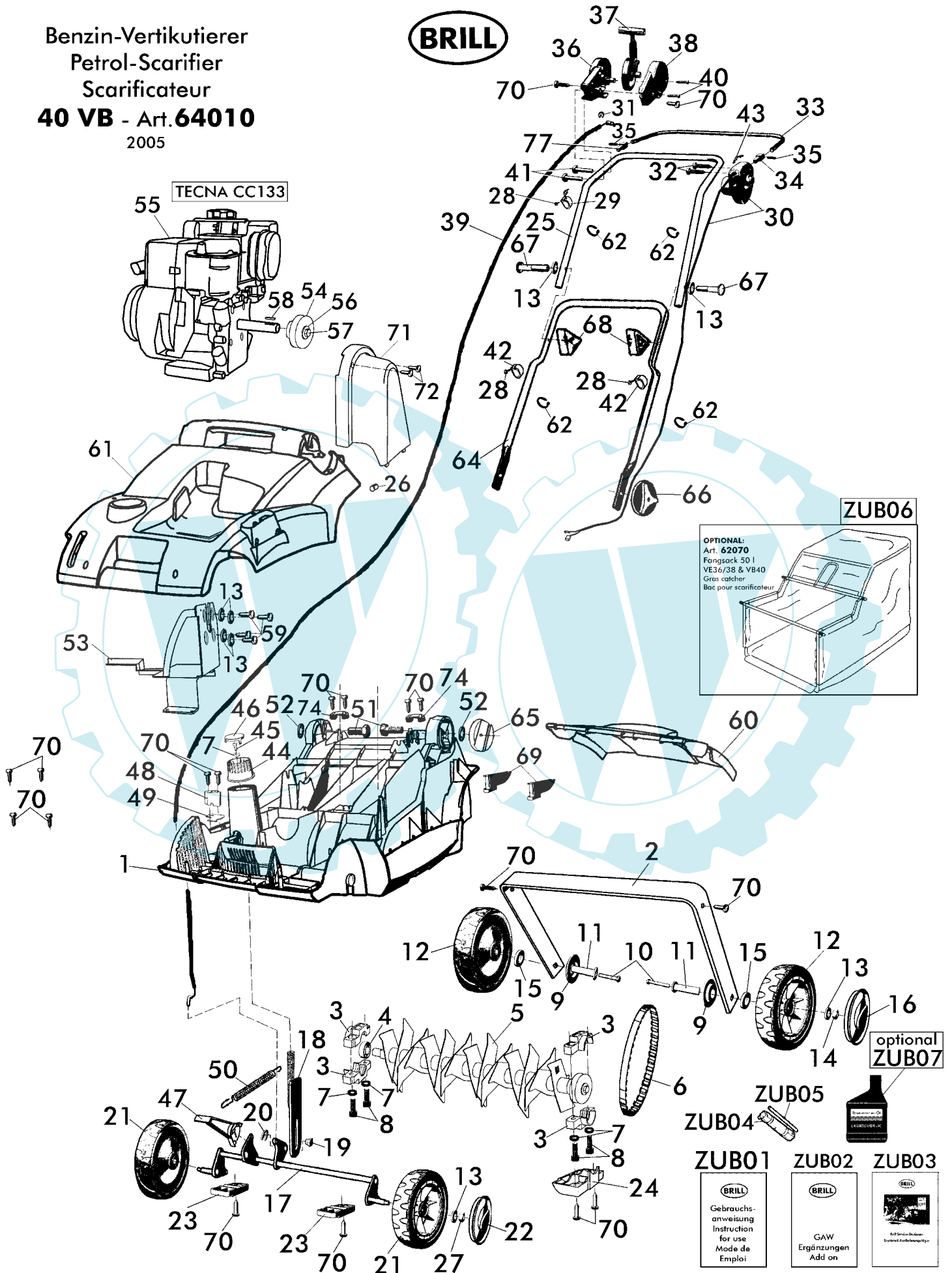


| | |
|-------------|----------------------|
| 1/3 | Benzin-VERTIKUTIERER |
| 2005 | Petrol-Scarifiers |
| Rev20060505 | Sacificateur |



40 VB - Art. 64010

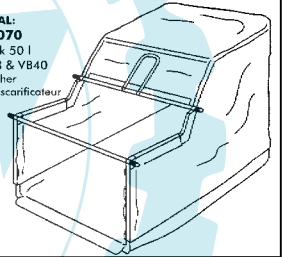
Benzin-Vertikutierer
 Petrol-Scarifier
 Scarificateur
40 VB - Art. 64010
 2005



TECNA CC133

ZUB06

OPTIONAL:
 Art. 62070
 Fängsack 50 l
 VE36/38 & VB40
 Gras catcher
 Bac pour scarificateur



optional
 ZUB07



- ZUB01 Gebrauchsanweisung
Instruction for use
Mode de Emploi
- ZUB02 GAW
Ergänzungen
Add on
- ZUB03 Full Service-Kit
Ersatzteile und Zubehör

| 2/3 | Benzin-VERTIKUTIERER | |  | 40 VB - Art. 64010 |
|------------------------------|--------------------------------------|---------------------------------------|----------------------------------------------------------------------------------|------------------------|
| 2005 | Petrol-Scarifiers | | | |
| Rev20060505 | Sacificateur | | | |
| Bild Nr. REF.N° POS.N° | BEST.-NR. PART-NO. NO d. PIECE | BEZEICHNUNG | DESCRIPTION | Anzahl Qty. Qte. |
| 1 | 13611 | Boden | Ground chassis VE38 | 1 |
| 2 | 13612 | Versteifungsbügel | Support Bracket | 1 |
| 3 | 13618 | Lagerschale | Bearing scale | 4 |
| 4 | 13811 | Kugellager 32*15*9 6002.2RS | Ball bearing | 1 |
| 5 | 62077 | Vertikutierwalze kpl 40 | Scarifier axle assy 40 complete | 1 |
| 6 | 15036 | Keilriemen X10 716Lp ZX27 1/2 | Belt X10 716Lp ZX27 1/2 | 1 |
| 7 | 06464 | SCHEIBE A6,4 DIN125 VERZ | Washer | 5 |
| 8 | 13861 | Zyl-Schraube DIN EN ISO 4762 M6 | Screw DIN EN ISO 4762 M6 | 4 |
| 9 | 13615 | Achslagerscheibe | Bearing washer | 2 |
| 10 | 13926 | Fru-Schraube DIN 603-M8*60 8.8 verz. | Screw DIN 603-M8*60 8.8 | 2 |
| 11 | 13613 | Lagerbuchse | Bush bearing | 2 |
| 12 | 13538 | Laufrad 195Ø RAL 7021 | Rear wheel assy 195 mm | 2 |
| 13 | 06465 | SCHEIBE A8,4 DIN125-ST VERZ | Washer | 10 |
| 14 | 06684 | Skt-Mutter M8-DIN 985 | Nut M8-DIN 985 | 2 |
| 15 | 08319 | TELLERFEDER C25*12,2*0,7 DIN20 | Disc spring | 2 |
| 16 | 12952 | Radkappe 195 | Wheel cap 195 | 2 |
| 17 | 13621 | Vorderachse kpl | Front axle assy. | 1 |
| 18 | 13627 | Höhenverstellung kpl | Height adjustment assy. | 1 |
| 19 | 13625 | Bolzen | Bolt | 1 |
| 20 | 10065 | Sicherungsring 12*1 DIN471 | Circlip 12*1 DIN471 | 1 |
| 21 | 13536 | Laufrad 172Ø RAL 7021 | Front Wheel 172 RAL 7021 | 2 |
| 22 | 12947 | Radkappe 172 | Wheel cap 172 | 2 |
| 23 | 13616 | Achshalter | Axle clamp | 2 |
| 24 | 13617 | Abdeckung | Axle cover | 1 |
| 25 | 14704 | Gestänge-Oberteil | Upper handle bar | 1 |
| 26 | 14232 | Durchführungsstülle | Cable spout | 1 |
| 27 | 14013 | Starlock D= 12 | Starlock D= 12 | 2 |
| 28 | 08722 | LIB-Schraube BZ 3,5*13 DIN7981 V2A | Screw BZ 3,5*13 DIN7981 V2A | 3 |
| 29 | 10953 | Umlenkhalter | Cable guide | 1 |
| 30 | 14740 | Bügelhalter | Safety switch assy. | 1 |
| 31 | 10196 | Schlitzscheibe | Special washer | 1 |
| 32 | 11623 | PT Schraube K40x25 | PT-screw K40x25 | 2 |
| 33 | 13829 | Auslösebügel gep.RAL 2002 | Switch bracket | 1 |
| 34 | 12590 | Adapter zum Totmannschalter | Adapter / switch bracket | 1 |
| 35 | 12503 | Spannstift DIN7346-2,5*12 | Split pin | 2 |
| 36 | 13653 | Gehäuseschale | Housing jacket | 1 |
| 37 | 13652 | Handhebel | Hand lever | 1 |
| 38 | 13651 | Gehäusedeckel | Housing cover | 1 |
| 39 | 13654 | Bowdenzug kpl | Cable assy. | 1 |
| 40 | 13947 | LIB-Schraube ISO7049-St 4,8*32-C-Torx | LIB-screw ISO7049-St 4,8*32-C-Torx | 2 |
| 41 | 13901 | Isolierhülse | Isulating sleeve | 2 |
| 42 | 11312 | Anschlag 22 | Block 22 | 2 |
| 43 | 12577 | Abdeckung Schalter (sort.) | Switch cover strip | 1 |
| 44 | 13601 | Drehknopf | Adjusting knob | 1 |
| 45 | 13828 | Zyl-Schraube DIN 7984 M6*10 8.8 | Screw DIN 7984 M6*10 8.8 | 1 |
| 46 | 13602 | Kappe Drehknopf | Cover plate | 1 |
| 47 | 13603 | Zeiger | Poiter | 1 |
| 48 | 13606 | Klemmstück | Shim | 1 |
| 49 | 14289 | Abstützplatte verz. | Support plate | 1 |
| 50 | 13607 | Zugfeder | Tension spring | 1 |
| 51 | 13253 | SKT-Schraube M8*65 DIN 931-8.8 verz | Hex.hd.screw M8*65 DIN 931-8.8 | 2 |
| 52 | 13865 | Pushnuts PUN 032 | Pushnut | 2 |
| 53 | 14706 | Motorkonsole | Engine support bracket | 1 |
| 54 | 14707 | Antriebscheibe | Pulley | 1 |

| Bild Nr. REF.N° POS.N° | BEST.-NR. PART-NO. NO d. PIECE | BEZEICHNUNG | DESCRIPTION | Anzahl Qty. Qte. |
|------------------------------|--------------------------------------|---------------------------------------|-----------------------------------|------------------------|
| 3/3 | 2005 | Benzin-VERTIKUTIERER | 40 VB - Art. 64010 | |
| Rev20060505 | | Petrol-Scarifiers | | |
| | | Sacificateur | | |
| 55 | 14083 | Benzinmotor CC 133 | Petrol engine CC 133 | 1 |
| 56 | 06478 | Federring A8 DIN127 VERZ | Spring washer A8 DIN127 VERZ | 1 |
| 57 | 14780 | Schraube 5/16"UNF 1"DIN933-8.8verz | Screw 5/16"UNF 1"DIN933-8.8 | 1 |
| 58 | 14782 | Passfeder A3/16"4,5*45 DIN6885 | Key A3/16"4,5*45 DIN6885 | 1 |
| 59 | 15072 | 6x20 Remform | 6x20 Remform | 4 |
| 60 | 13962 | Klappe RAL 2002 | Rear flap VE | 1 |
| 61 | 14586 | Deckel 40VB | Cover 40VB | 1 |
| 62 | 13952 | Kabelbinder 5 | Cable strip 5 | 4 |
| 64 | 13871 | Gestänge-Unterteil gep.RAL7021 | Lower handle bar RAL7021 | 1 |
| 65 | 10985 | RASTSCHEIBE | Self-aligning washer | 2 |
| 66 | 08287 | GELENKSPANNGRIF | Tension grip | 2 |
| 67 | 09191 | FORMSCHRAUBE M8*47 N ZG | Special screw 8x47 | 2 |
| 68 | 08288 | HOLMSPANNGRIF | Knob | 2 |
| 69 | 14730 | Einführung schwarz | Gras catcher guide | 2 |
| 70 | 13444 | Lib-Schraube ISO7049-St 4,8*19-C-Torx | Screw ISO7049-St 4,8*19-C-Torx | 31 |
| 71 | 14715 | Riemenabdeckung | Belt cover | 1 |
| 72 | 09854 | Schneidschraube AM4X10 DIN75 | Screw AM4X10 DIN75 | 2 |
| 74 | 13922 | Kabelklemme | Cable clamp | 2 |
| 77 | 13831 | Halteelement | Bracket connector | 1 |
| ZUBEHÖR | | | ACCESSORIES | |
| ZUB01 | 14720 | Gebrauchsanleitung 64010 | Instruction for use 64010 | 1 |
| ZUB02 | 14737 | GAW Ergänzung 64010 | Manual addendum 64010 | 1 |
| ZUB03 | 00563 | Brill Service Verzeichnis | Brill service booklet | 1 |
| ZUB04 | 06574 | Kerzenschlüssel SW 19/21 | Spark wrench 19/21 | 1 |
| ZUB05 | 06591 | Drehstift 5x100 | Pin 5x100 | 1 |
| ZUB06 | 62070 | Fangsack 50 l (Optional) | Grass catcher 50 l (optional) | 1 |
| ZUB07 | 76012 | Motorölflasche SAE 30 (Optional) | Motor oil bottle SAE30 (optional) | 1 |

